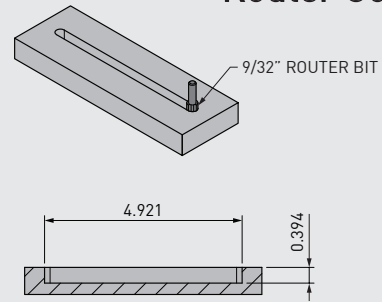


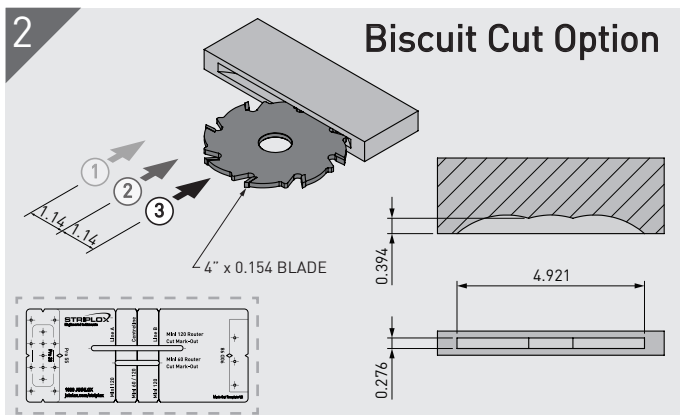
Mounting

1

Router Cut Option



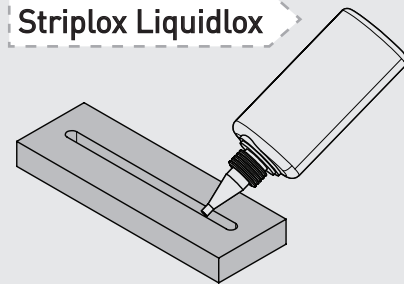
Use a 9/32" router bit to cut a slot in both substrates where the Hook and Key of the Mini 120 is to be mounted. Depth needs to be 0.394" for each.



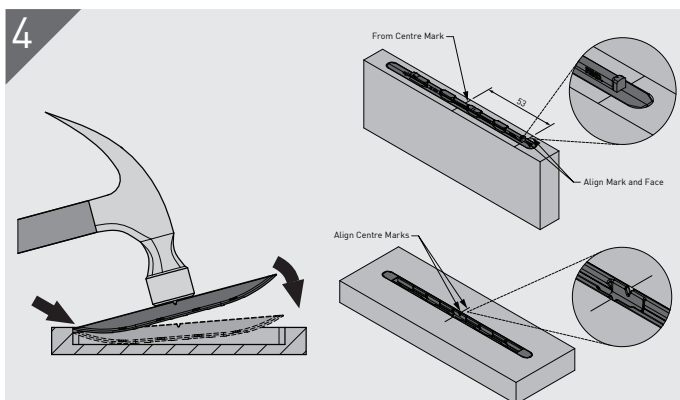
Set the depth stop to #20 and guide height for substrate thickness. Plunge in 3 locations then repeat using the **Mark-Out Template**, packing the guide to achieve a 0.276" cut.

3

Striplox Liquidlox

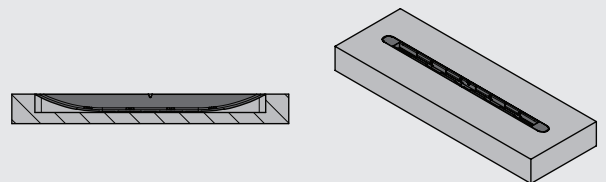


Apply Striplox Liquidlox 15 second cure adhesive to both sides of the slot in each substrate. Visit www.mcfeelys.com/installation or call 800-443-7937 to find out more about these products and Mark-Out Template.

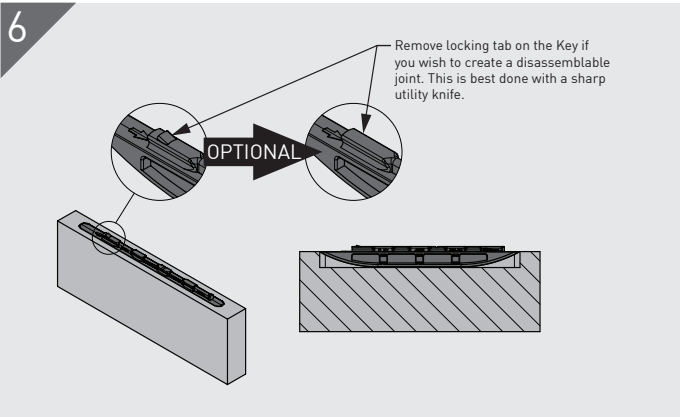


To aid in the installation of the Hook and Key, start by inserting one end in the slot when use a hammer or mallet to tap the component into place.

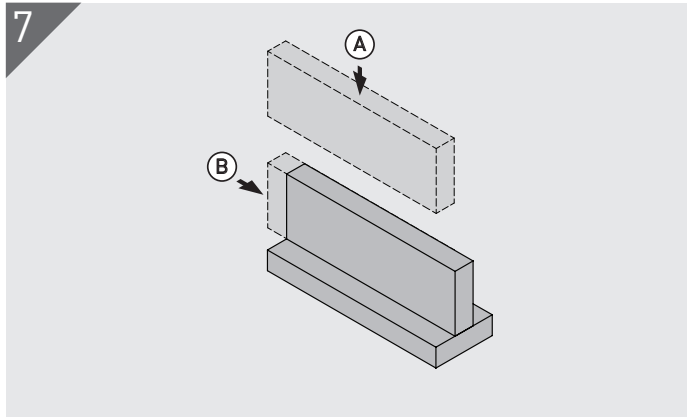
5



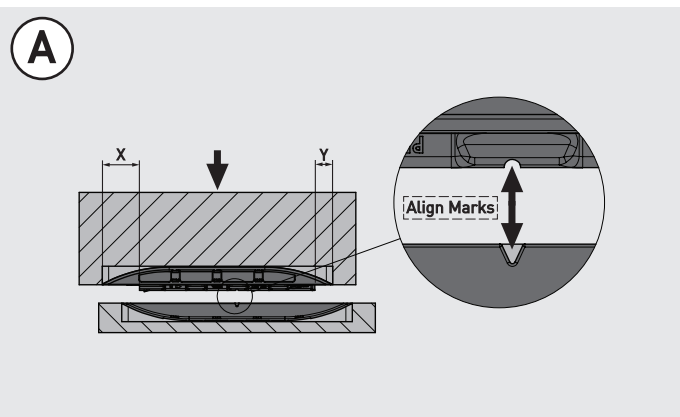
After glue is applied, insert Hook and Key into slot until flush with substrate. Allow to dry as per glue manufactures instructions.



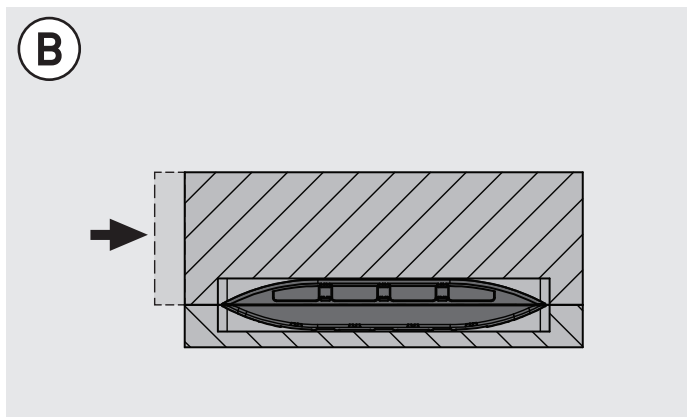
Before assembling the Striplox Mini 120, make note of the locking tab on the Key. Leaving this tab in place will prevent the unintentional unlocking of the joint.



Assembly components remembering the Key only needs to travel 1 pitch for full engagement. This is detailed in steps A and B.

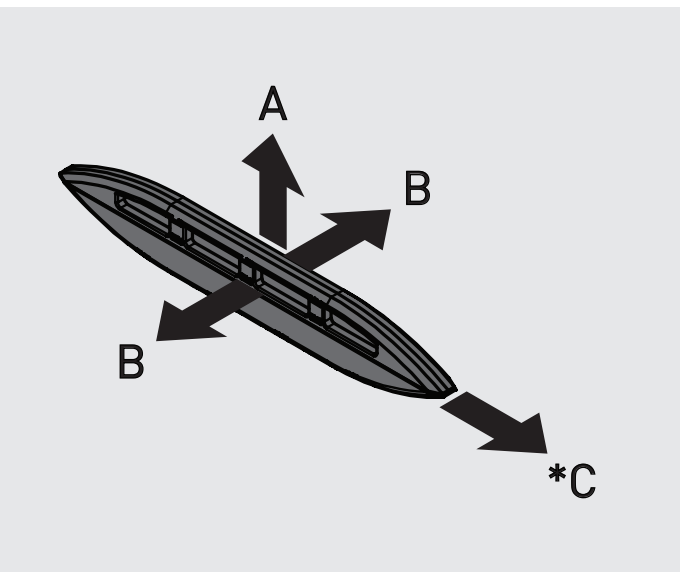


Note the offset of the lugs on the Key body, length X is larger than Y. Insert the Hook into the Key with the longer X end towards the face to be pushed during assembly.



To complete the assembly push the end of the substrate (with X offset) until the Mini 120 is fully engaged.

Load Capacity



Direction	Indic. Load Capacity
A	440 lb
B	322 lb
C	262 lb

- Tested using MDF and fixed with glue.
- *C is in direction of lock-up.