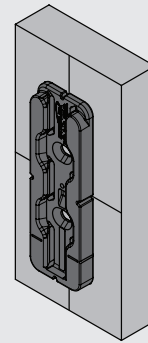
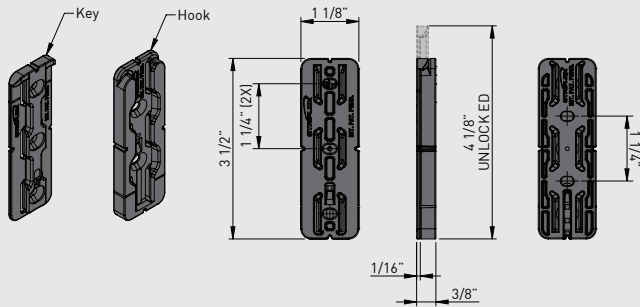


### Flush Mounting

1

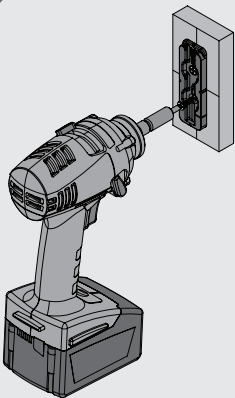


Mark center lines, vertical and horizontal, on both substrates. Flush mounting requires no additional preparation. Line the notches in each component (Hook shown here) with the center lines. **Mark-Out Template** can also be used.



Material	High Strength Reinforced Nylon
Colour	Black
Fixing Method	8G Screws (5x) or Glue

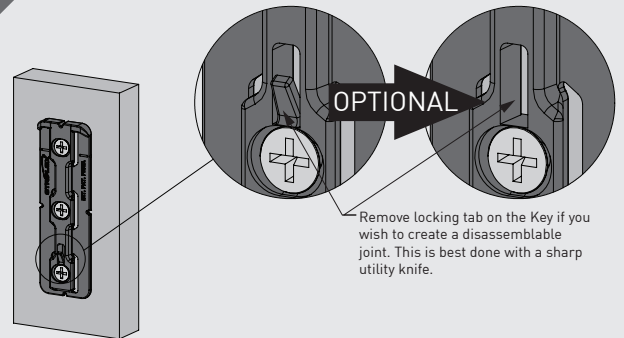
2



**Striplox Liquidlox** can also be used for mounting the Pro 23

Hold the component in place and fasten to the substrate with 5 x 8G screws. Repeat for matching component. Ensure sufficient screw embedment in substrate.

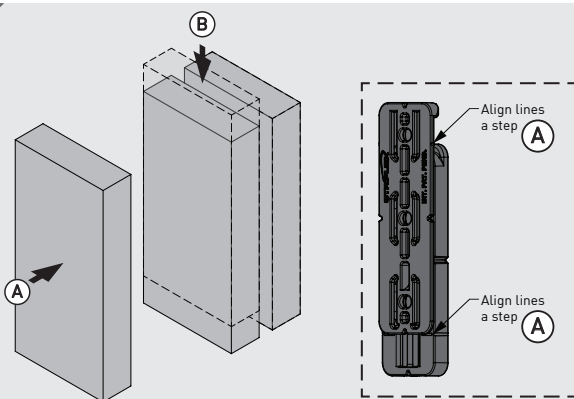
3



**OPTIONAL**  
Remove locking tab on the Key if you wish to create a disassemblable joint. This is best done with a sharp utility knife.

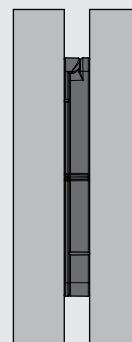
Prior to assembly, establish whether the joint is to be permanent or disassemblable.

4



Assembly the joint remembering the Pro 23 only needs to travel 1 pitch for full engagement. Alignment lines are designed into the parts to help with assembly.

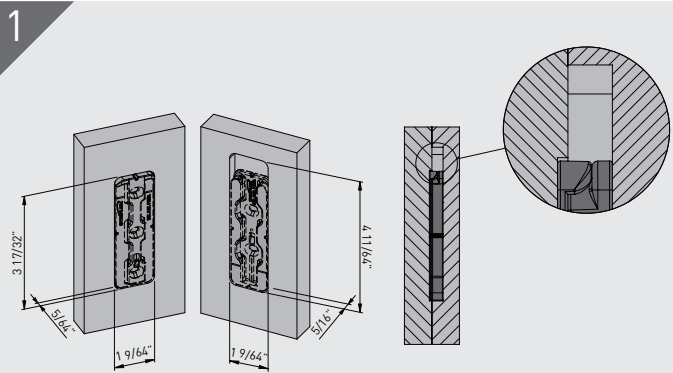
5



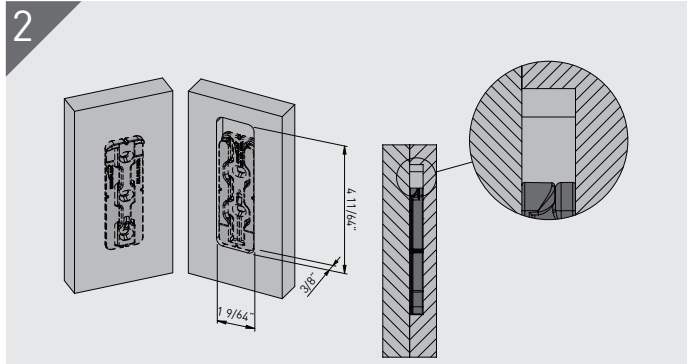
See second page for **Rebate** and **Set-Back** mounting options.

When assembled, the substrates will be separated by the thickness of the engaged Pro 23.

## Rebate Mounting

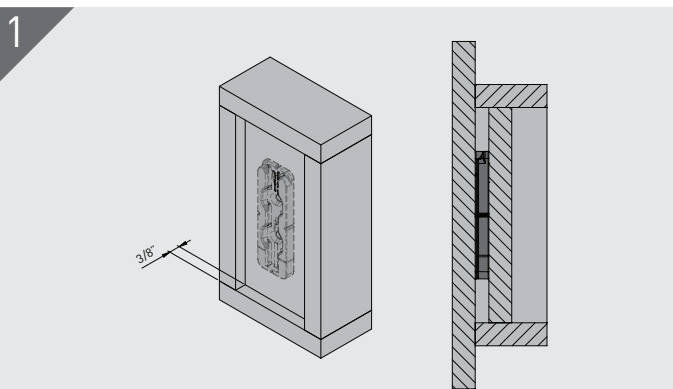


**Part Rebate** - each substrate mounting face is rebating as shown. Ensure sufficient screw embedment in substrate.



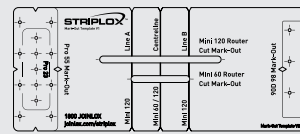
**Full Rebate** - 1 of the substrate mounting faces is rebating the full depth as shown. Ensure sufficient screw embedment in substrate.

## Set-Back Mounting



Setting back the mounting face of either the Hook (as shown) or Key by 3/8" results in a concealed joint without the need to cut rebates.

## Installation Aids

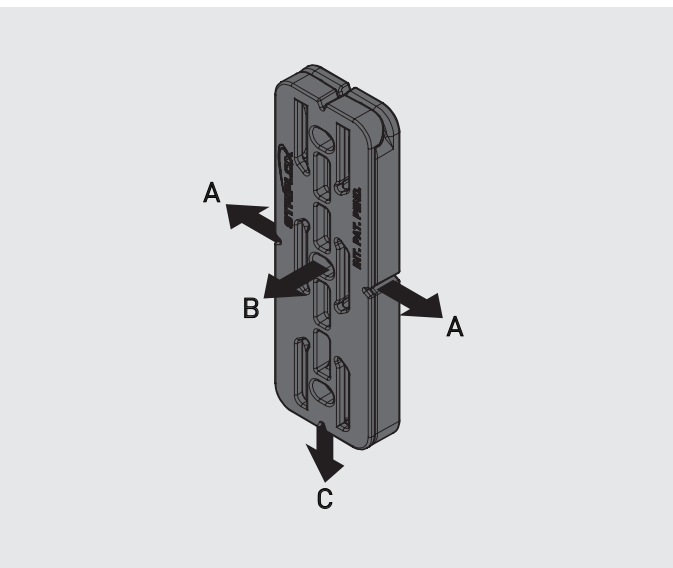


**Striplox Mark-Out Template**  
Developed to aid in the installation of the Striplox Pro 23, Pro 55, 90D 98, Mini 60 and 120.



**Striplox Liquidlox**  
Instant adhesive with a 15 second cure time. Liquidlox delivers a strong and reliable connection between Striplox products and most substrates.

## Load Capacity



Visit [www.mcfeelys.com/installation](http://www.mcfeelys.com/installation) or call 800-443-7937 to find out more about these installation aids.

Direction	Indic. Load Capacity
A	242 lb
B	209 lb
C	352 lb

- Tested using particle board and fixed with screws.
- Ensure sufficient screw embedment in substrate.