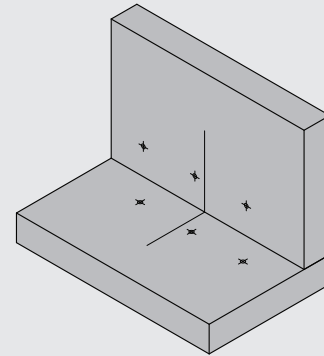


### Mounting

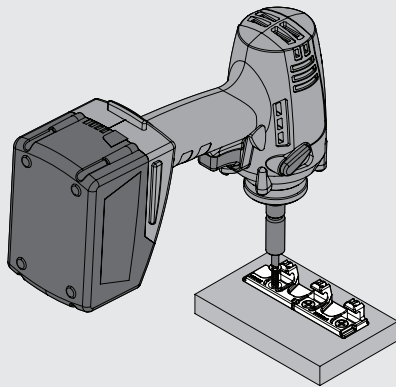
1



Mark center line on both substrates. The 90D 98 works on box joints (shown), t-section and mitered joints. Mark mounting screw centre points by measuring or with the aid of the **Mark-Out Template**.

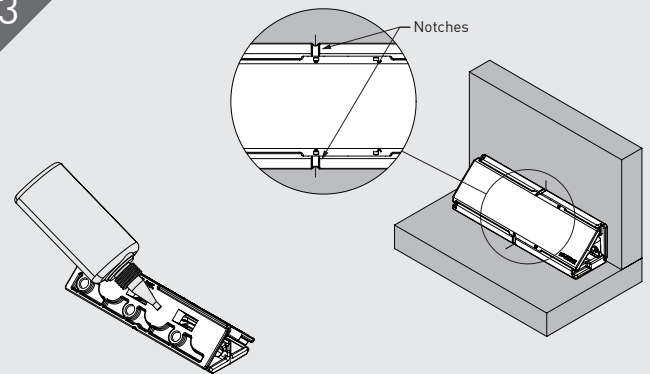
Material	High Strength Reinforced Nylon
Colour	White or Black
Fixing Method	8G Screws (6x) or Glue

2



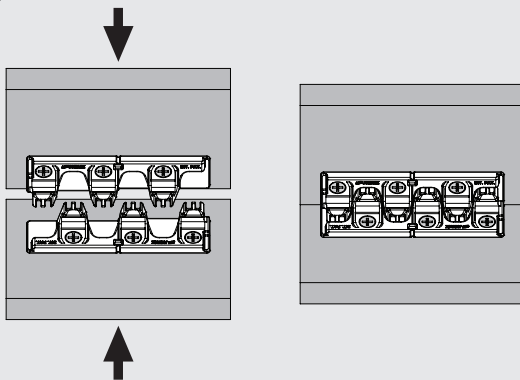
Fasten each Hook with 3 x 8G screws. Ensure sufficient screw embedment in substrate.

3



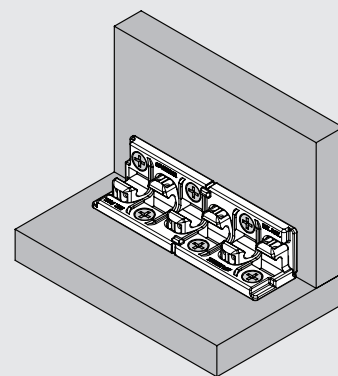
An alternative to marking screw locations is to apply glue to the mounting faces of the Hooks to aid with placement. Line up notches in the Hooks with the marked lines then press and hold the assembled 90D in place. Allow time for glue to dry.

4

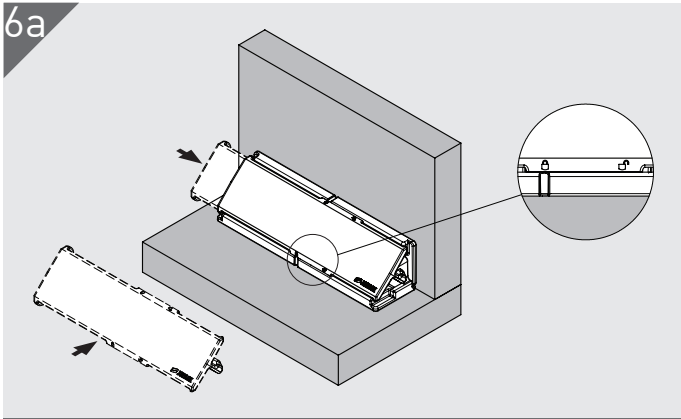


After all screws are in place, bring the two substrates together. The two sets of Hooks will self-align as shown.

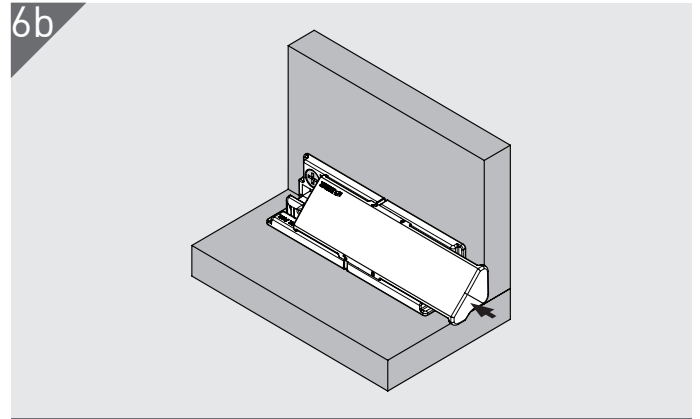
5



Assembly the joint.

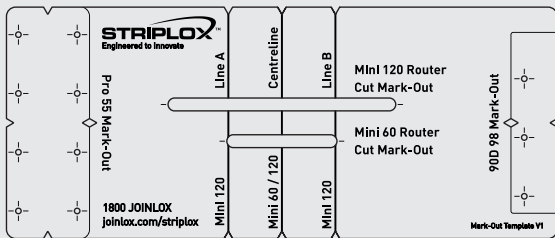


Install the Key remembering it only needs to travel 1 pitch for full engagement. Use the padlock symbol as a guide. The Key is also bidirectional and can be installed either end, see step 6b.



Key being installed in other end of the assembled Hooks.

## Installation Aids



### Striplox Mark-Out Template

Developed to aid in the installation of the Striplox 90D 98, Pro 55, Mini 60 and 120.

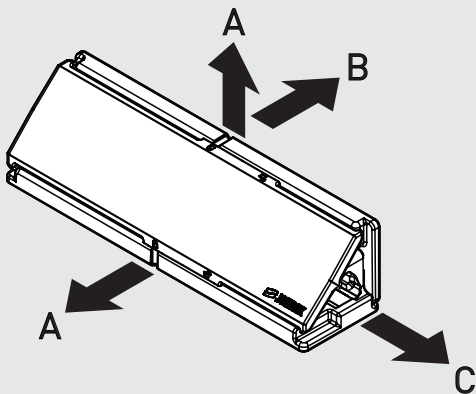


### Striplox Liquidlox

Instant adhesive with a 15 second cure time. Liquidlox delivers a strong and reliable connection between Striplox products and most substrates.

Visit [www.mcfeelys.com/installation](http://www.mcfeelys.com/installation) or call 800-443-7937 to find out more about these installation aids.

## Load Capacity



Direction	Indic. Load Capacity
A	440 lb
B	145 lb
C	440 lb

- Tested using particle board and fixed with screws.
- Ensure sufficient screw embedment in substrate.