

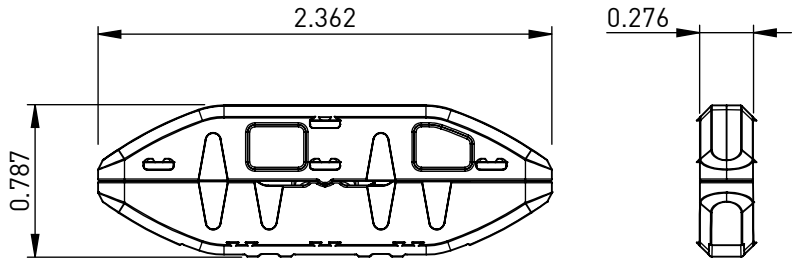
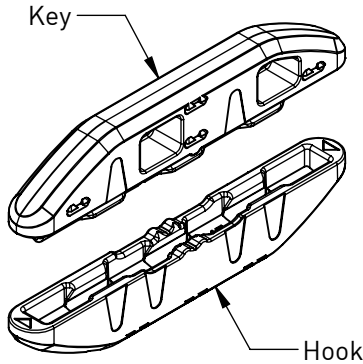
Striplox Mini 60

Rapid Assembly Systems

Mounting Data Sheet - US Version
All dimension in inches



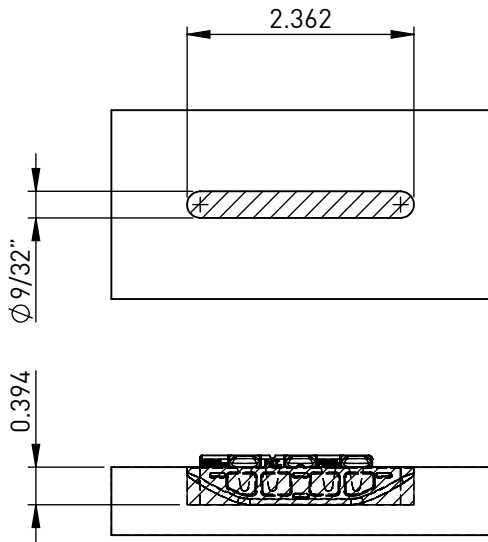
General Dimensions



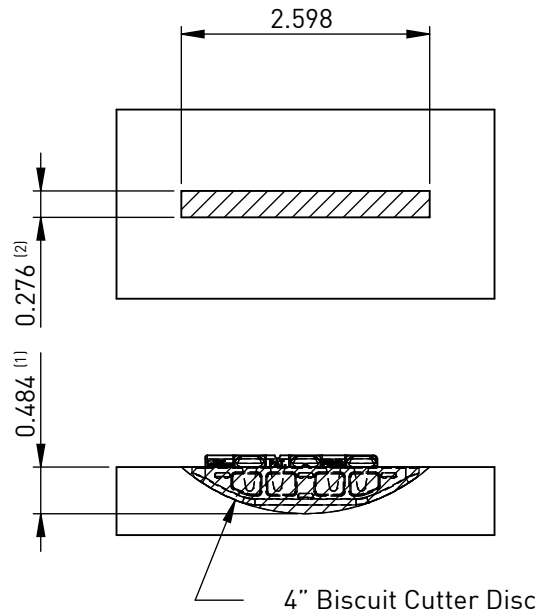
Material	High Strength Reinforced Nylon
Colour	Black
Fixing Method	Glue

Mounting Dimensions

Option A - Router Cut



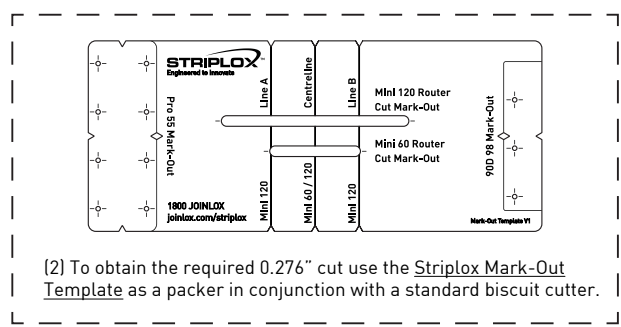
Option B - Biscuit Cutter



(1) #20 biscuit cutter depth setting

www.mcfeelys.com 800-443-7937
 tech@mcfeelys.com

- Notes:
- Groove detail typical for both Hook and Key halves.
 - Key shown in groove.



(2) To obtain the required 0.276" cut use the Striplox Mark-Out Template as a packer in conjunction with a standard biscuit cutter.